

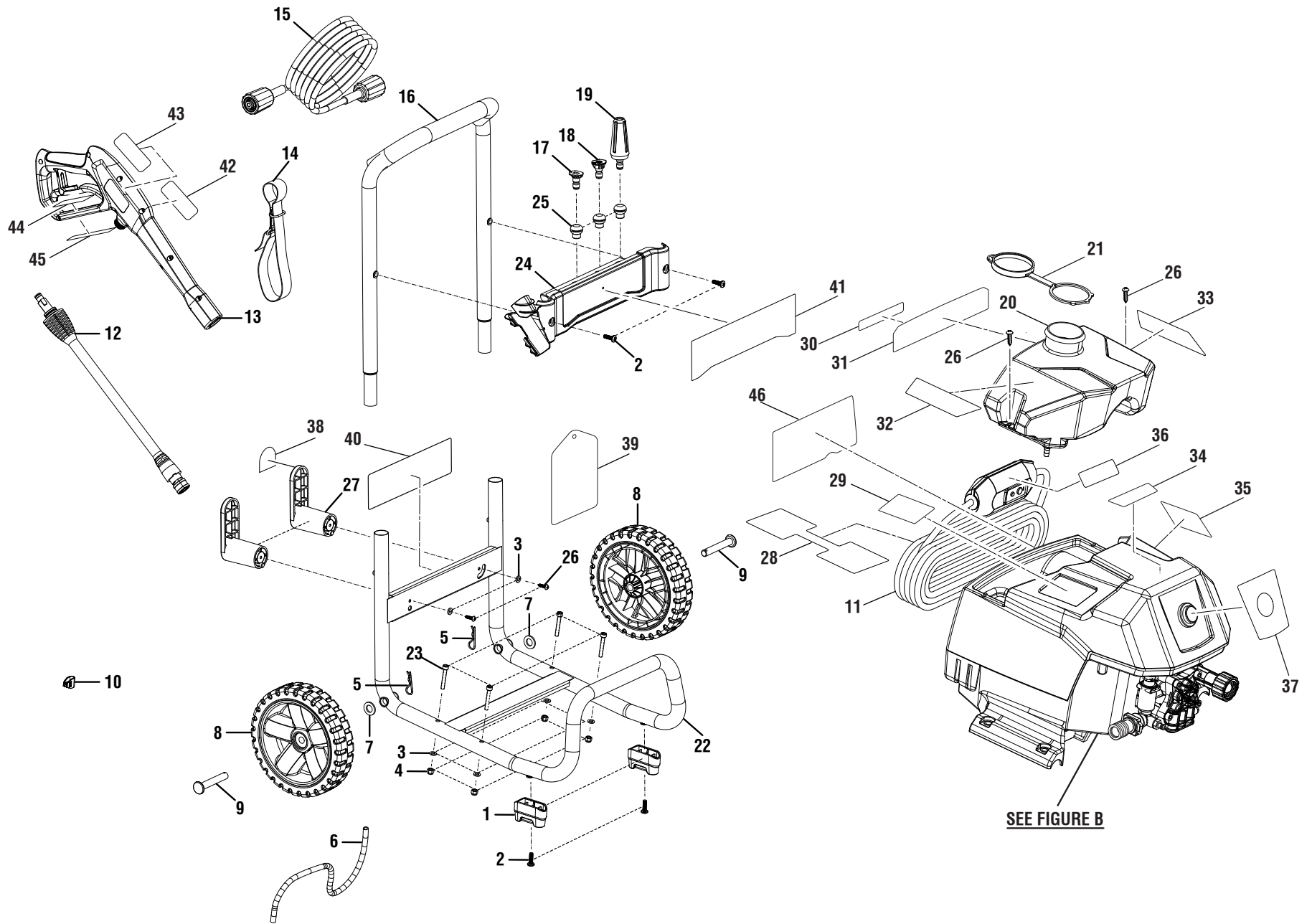


**PRESSURE WASHER
ITEM NO. PS141913/PS141955
MFG NO. 090079352/090079364
REPLACEMENT PARTS LIST**

OWT INDUSTRIES, INC.

P.O. Box 1427
Anderson, SC 29622 USA
1-877-617-3501
www.powerstroketools.com

FIGURE A



SEE FIGURE B

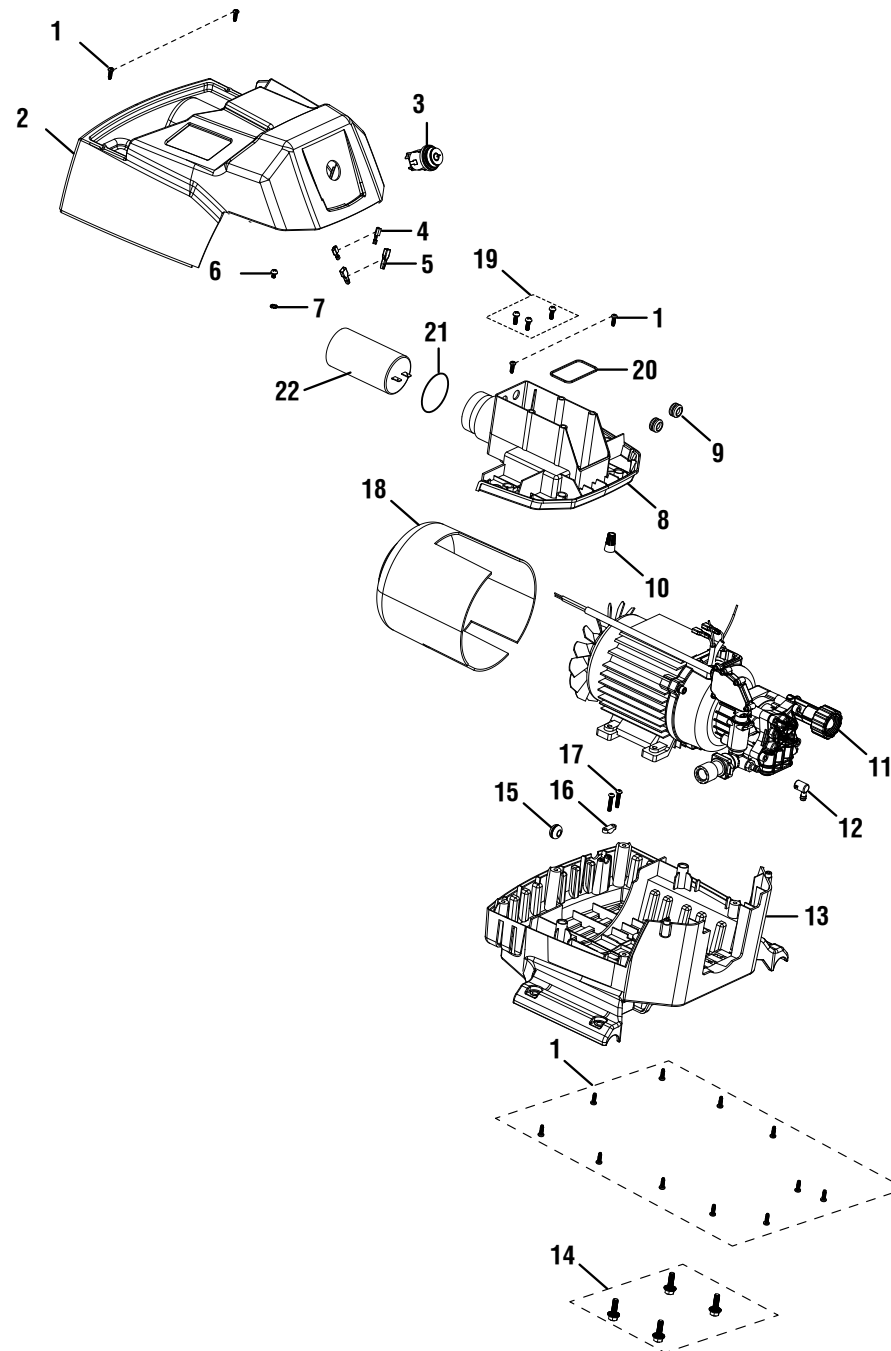
PRESSURE WASHER – ITEM NO. PS141913/PS141955

The item and manufacturing numbers will be found on a label attached to the engine plate. Always mention the item and manufacturing numbers in all correspondence regarding your **PRESSURE WASHER** or when ordering replacement parts.

FIGURE A PARTS LIST

KEY NO.	PART NUMBER	DESCRIPTION	QTY	KEY NO.	PART NUMBER	DESCRIPTION	QTY
1	523406007	Foot.....	2	28	940324032	Cord Wrap Label.....	1
2	660481019	Bolt (M6 x 20 mm, Pan Hd.).....	4	29	941166002	Vent Label (Left)	1
3	678600010	Washer (M6).....	6	30	941486014	Inquires Label.....	1
4	678460001	Lock Nut (M6).....	4	31	940617171	Quick Start Label (PS141913).....	1
5	678238004	Hitch Pin.....	2		940617188	Quick Start Label (PS141955).....	1
6	561399014	Suction Hose	1	32	940786048	Nozzle Select Label (PS141913).....	1
7	678889003	Washer (ID12.5 x OD24 x 2t).....	2		940786055	Nozzle Select Label (PS141955).....	1
8	308451070	Wheel	2	33	940608027	Detergent Tank Label (PS141913).....	1
9	620599029	Axle	2		940608035	Detergent Tank Label (PS141955).....	1
10	528499001	Cord Clip.....	1	34	940705344	Logo Label	1
11	290426030	Power Cord.....	1	35	941166001	Vent Label (Right).....	1
12	308494075	Spray Wand	1	36	940603006	Cord Plug Label	1
13	308760059	Trigger Handle.....	1	37	940698044	On/Off Switch Label (PS141913)	1
14	310801004	Hose Storage Strap	1		940698052	On/Off Switch Label (PS141955)	1
15	308835065	Hose (25 ft.) [PS141913]	1	38	941076001	Cord Unlock Label	1
16	310224085	Handle Assembly	1	39	961039007	Nozzle Hangtag (PS141913)	1
17	308706013	Soap Nozzle.....	1	40	940654316	Regulatory Label (PS141913)	1
18	308698032	Nozzle (15°).....	1		940654331	Regulatory Label (PS141955)	1
19	308311014	Turbo Nozzle	1	41	940779177	Performance Label (PS141913)	1
20	580575023	Detergent Tank (PS141913)	1		940779201	Performance Label (PS141955)	1
	580875023	Detergent Tank (PS141955)	1	42	940324040	Trigger Handle Warning Label (English)	1
21	310650004	Detergent Tank Cap	1	43	940786058	Trigger Handle Logo Label.....	1
22	308582064	Frame.....	1	44	940324024	Trigger Handle Warning Label (French/Spanish).....	1
23	660481015	Bolt (M6 x 40 mm Hex. Soc. Hd.)	4	45	940904003	Trigger Handle Rating Label.....	1
24	518790026	Front Panel.....	1	46	940894033	Danger Icon Label (PS141955)	1
25	561383021	Nozzle Grommet	3		Not Shown:		
26	661403019	Screw (M4.8 x 19 mm, Pan Hd.).....	4		995000117	Operator's Manual	
27	522037003	Cord Wrap Arm	2				

FIGURE B



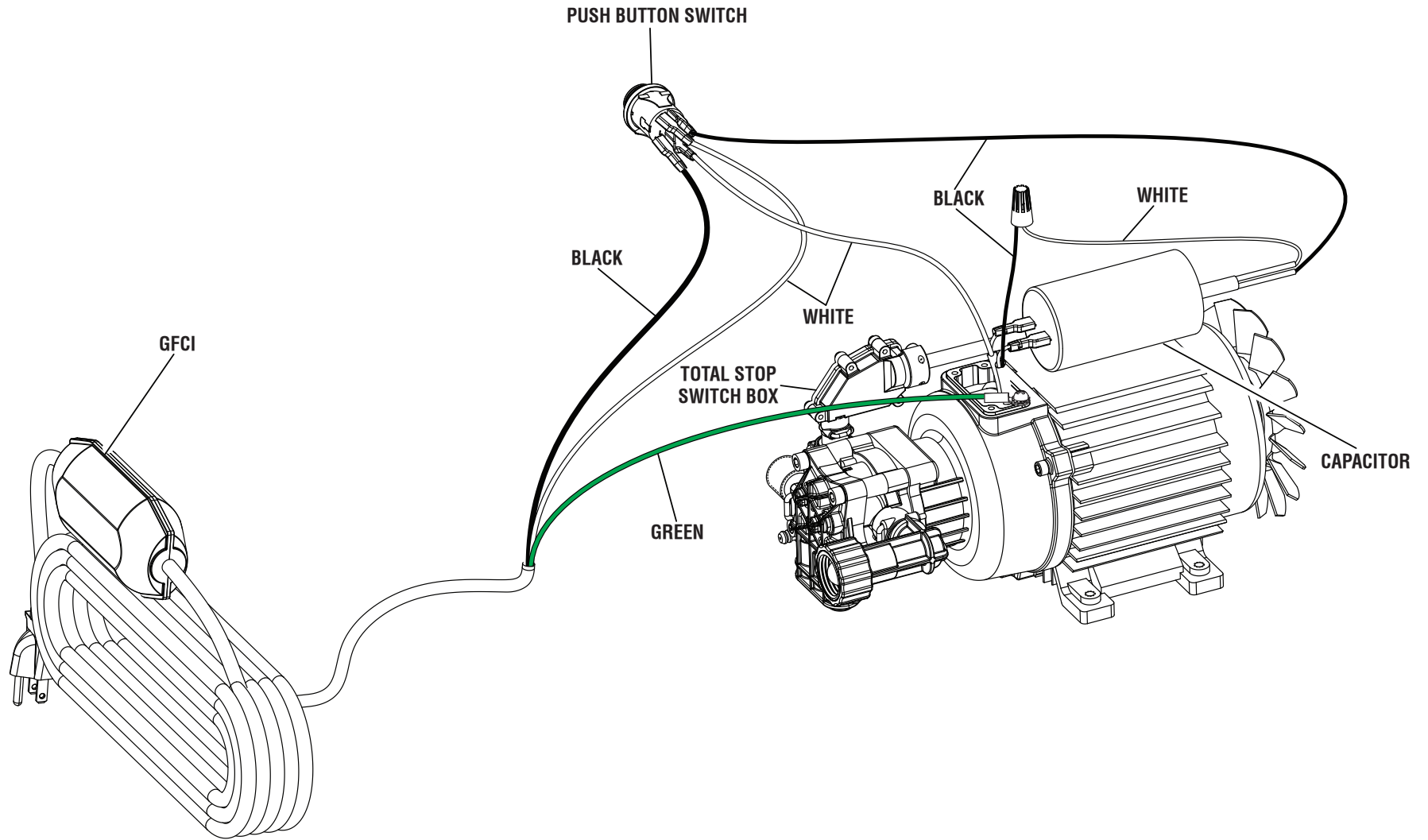
PRESSURE WASHER – ITEM NO. PS141913/PS141955

The item and manufacturing numbers will be found on a label attached to the engine plate. Always mention the item and manufacturing numbers in all correspondence regarding your **PRESSURE WASHER** or when ordering replacement parts.

FIGURE B PARTS LIST

KEY NO.	PART NUMBER	DESCRIPTION	QTY
1	661403016	Screw (M4.2 x 15 mm, Pan Hd.).....	15
2	522032024	Top Motor Housing	1
3	760504018	Switch	1
4	630236004	Tinned Brass (Terminal)	2
5	527784005	Plastic Sleeve (Terminal)	2
6	660481028	Screw (M4 x 6 mm, Pan Hd.).....	1
7	638454005	Toothed Lock Washer (M4)	1
8	522038016	Pump Cover.....	1
9	561383028	Grommet.....	2
10	870601001	Wire Nut.....	1
11	NOTE A:	Motor and Pump Assembly	1
12	529062002	Soap Hose Inlet Adapter	1
13	522038015	Lower Housing.....	1
14	661505038	Bolt (M6 x 20 mm)	4
15	561383025	Grommet.....	1
16	522051003	Cord Clamp	1
17	661610008	Screw (M3.5 x 20 mm).....	2
18	527405002	Motor Cover.....	1
19	660481027	Bolt (M4 x 12 mm, Pan Hd.)	3
20	570449004	Rubber Ring.....	1
21	570742116	O-Ring	1
22	820270006	Capacitor	1

NOTE A: OWT INDUSTRIES, INC. will not provide a complete motor/pump as a replacement part. Contact our service department for assistance.



WIRING DIAGRAM